

Our unique Extended Arm Stands serve two main purposes. Firstly, in combination with the folding extension arms, they enable a completely clear bench to be maintained, and secondly it gives the user the ability to position their microscope anywhere over their bench area.

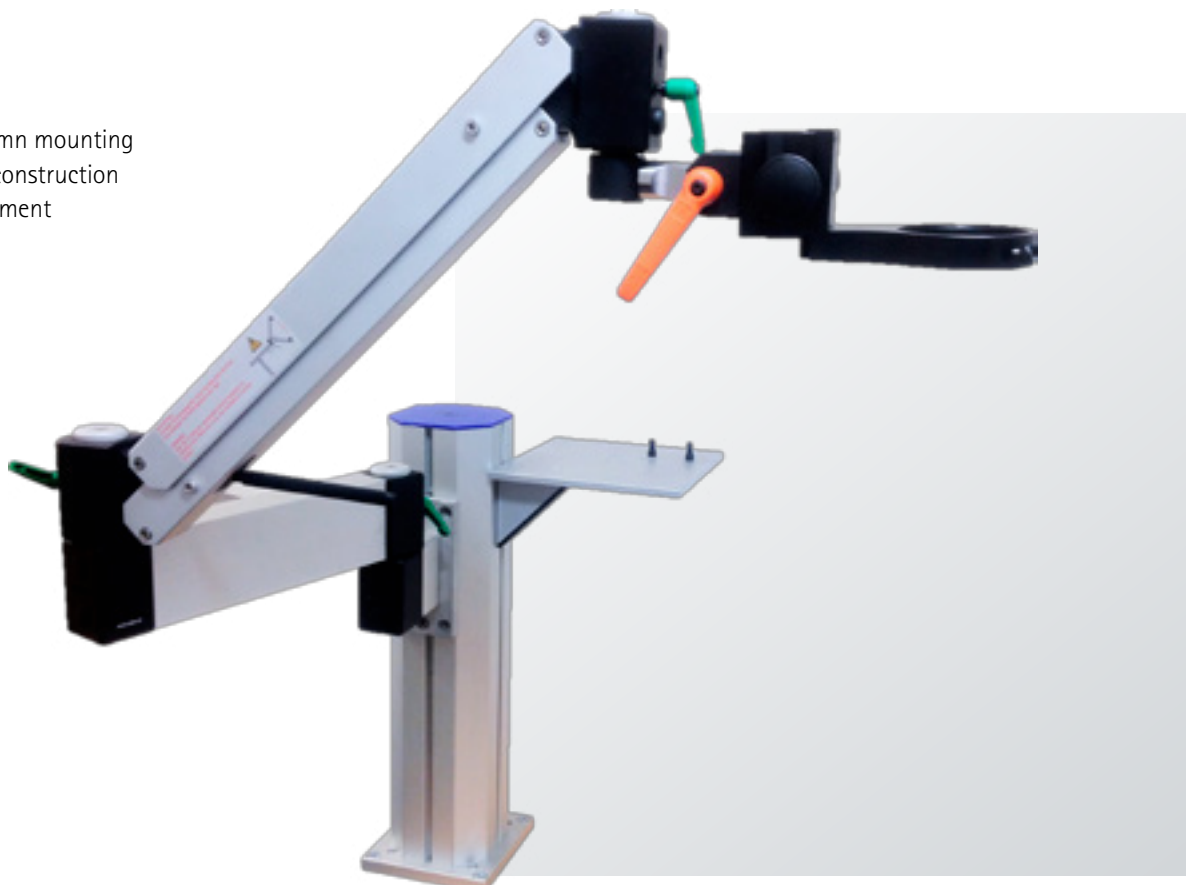
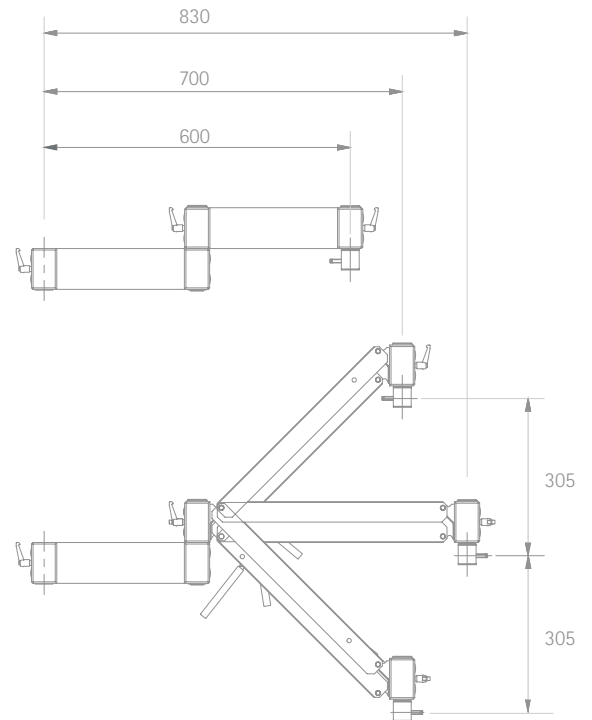
## Extended Arm Stand

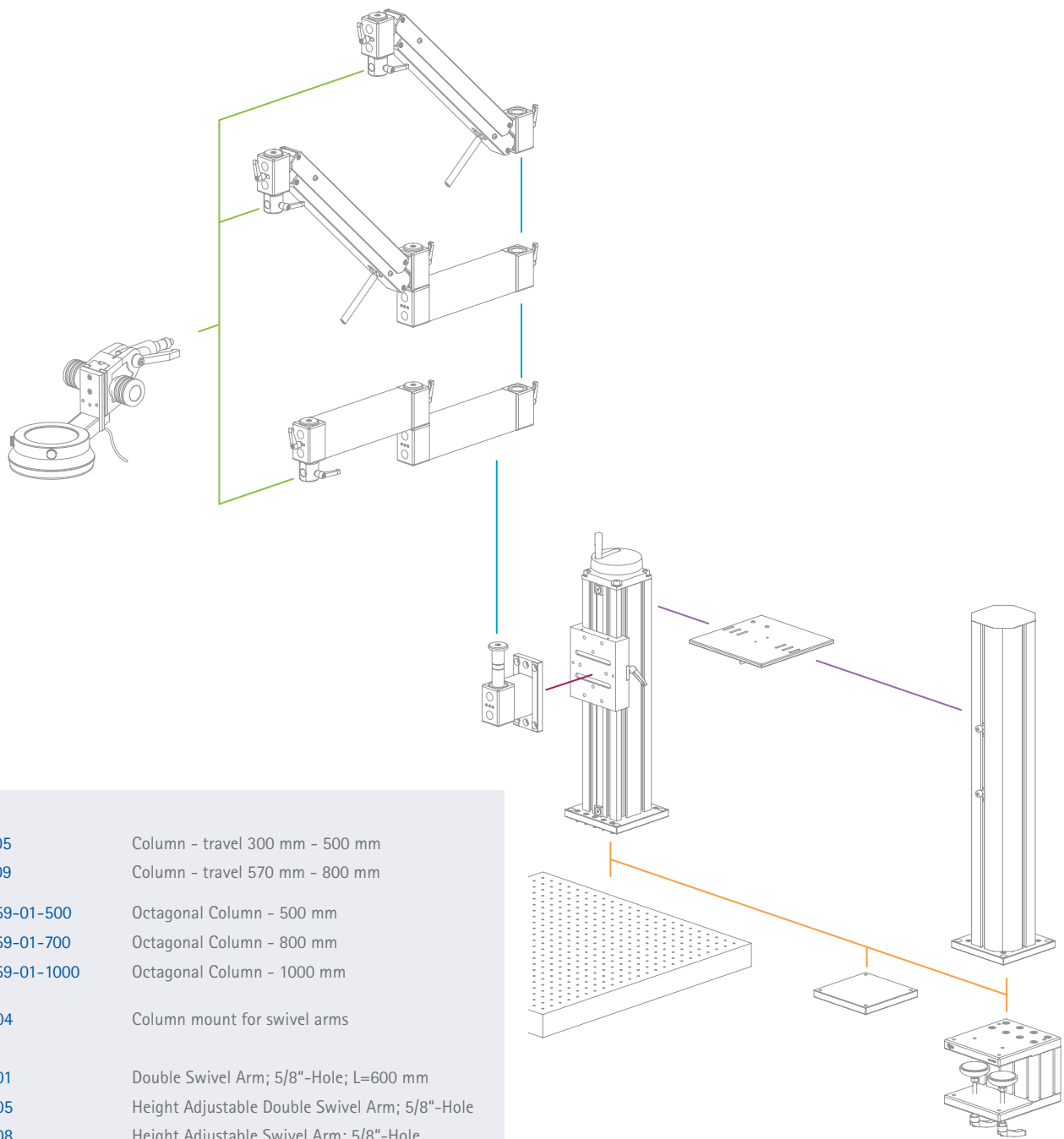
### Your Benefit

- Useable with high magnification microscopes
- Heavy Duty Focus handles safely equipment up to 20 kg
- Modular setup for laboratories and test stations
- Ability to position microscope anywhere over bench area

### Key Features

- Table, wall or column mounting
- Extremely robust construction
- Easy height adjustment





- 044-941005      Column - travel 300 mm - 500 mm
- 044-941009      Column - travel 570 mm - 800 mm
  
- 045-600159-01-500      Octagonal Column - 500 mm
- 045-600159-01-700      Octagonal Column - 800 mm
- 045-600159-01-1000      Octagonal Column - 1000 mm
  
- 043-603004      Column mount for swivel arms
  
- 043-603001      Double Swivel Arm; 5/8"-Hole; L=600 mm
- 043-603005      Height Adjustable Double Swivel Arm; 5/8"-Hole
- 043-603008      Height Adjustable Swivel Arm; 5/8"-Hole
  
- 043-643045      LEDrive - 5/8"
- 043-643046      Focus Drive C - 5/8"
  
- 043-530114-W      Tray - 210 x 210 mm for light sources
  
- 044-620102-C      Breadboard - 600 x 450 x 50 mm
- 045-600159-02-1      Counter Plate for Table Mount
- 043-609049      Table clamp - M10 - clamp distance 20-58 mm