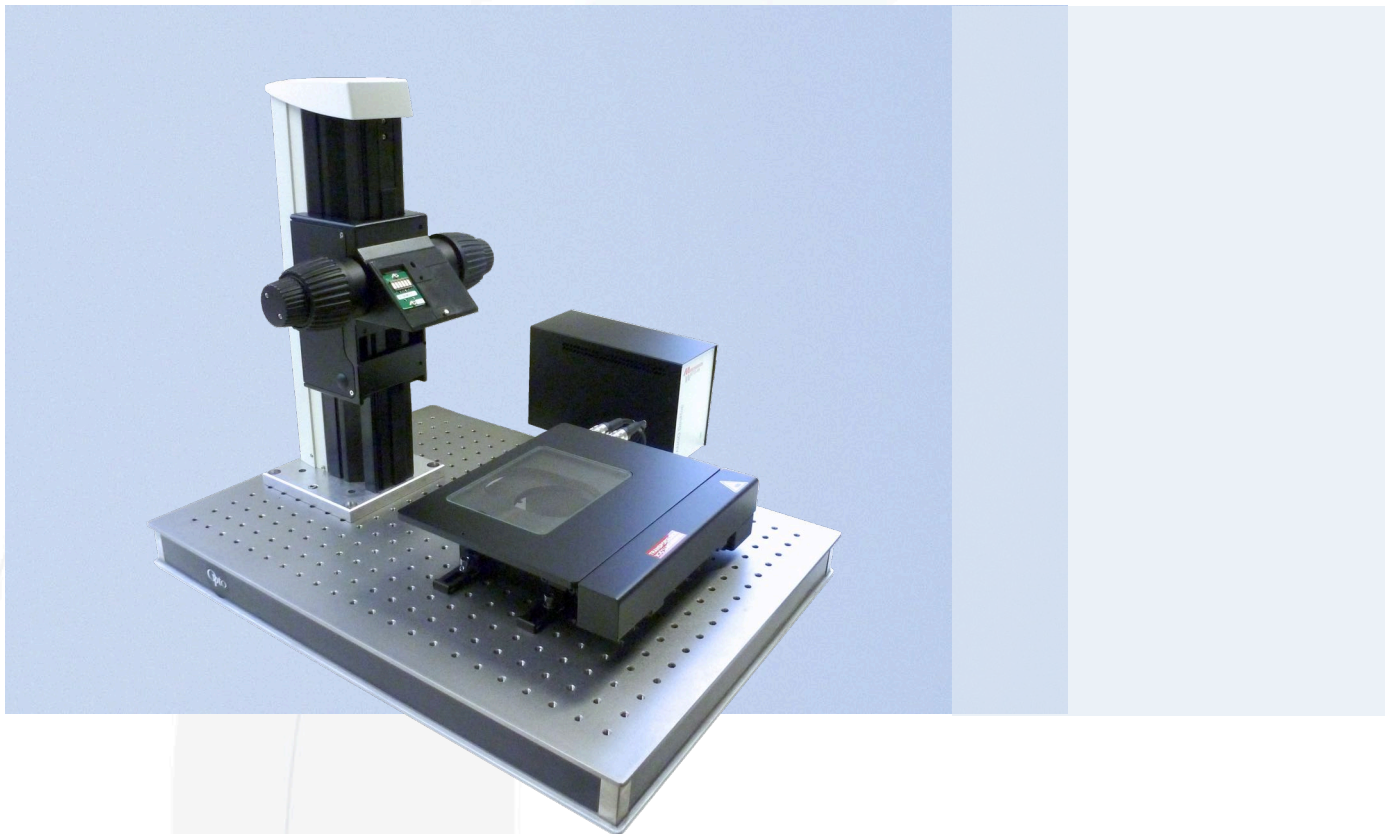


ScanStand – *standard, XL*

For Stitching Applications with Leica Stereomicroscopes

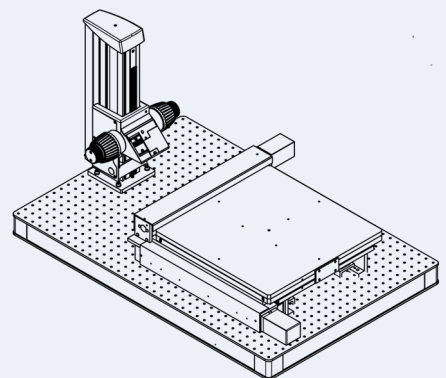


High Class Microscope Accessories at Opto

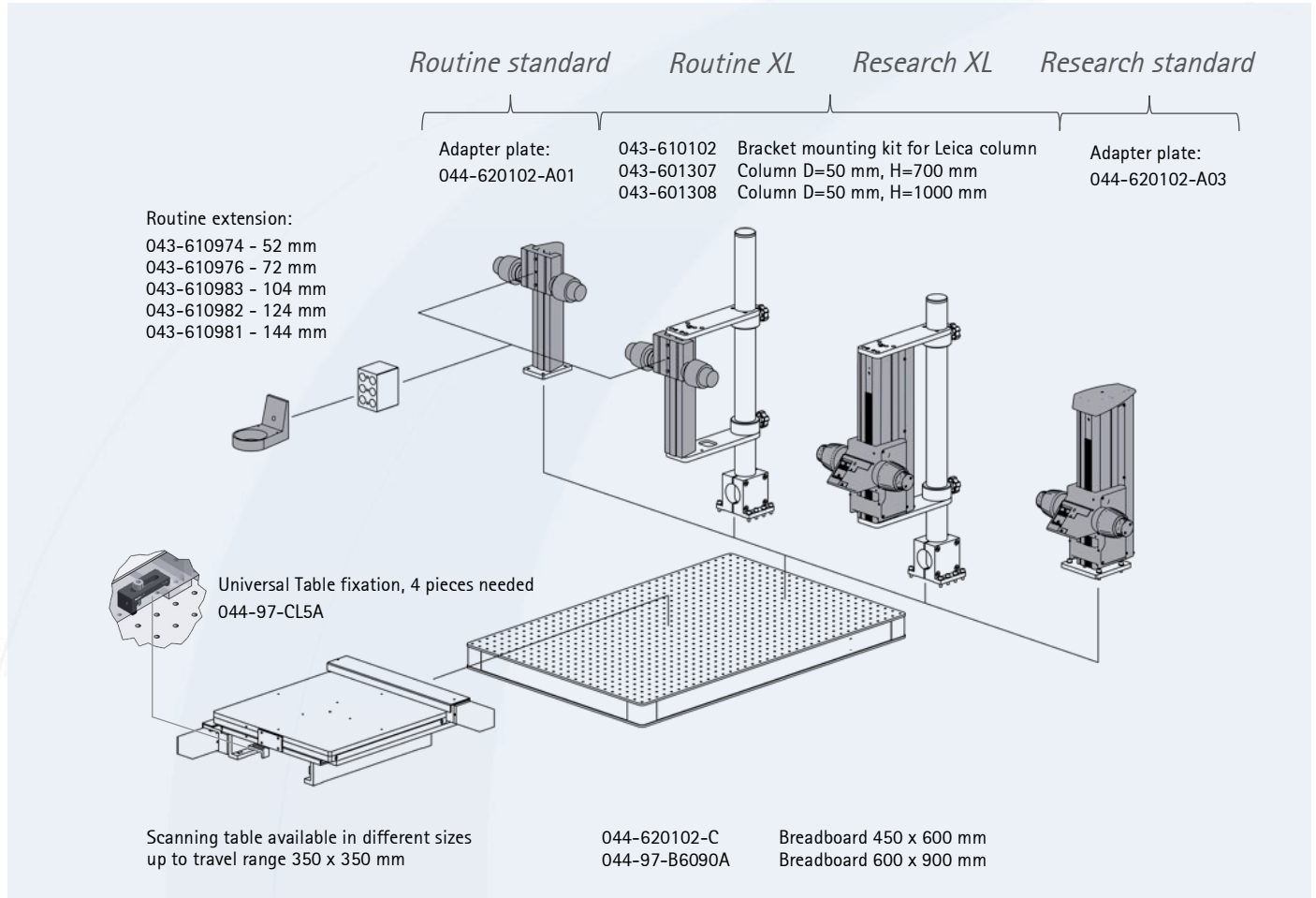
The Opto **ScanStand** enables high precision, automated image stitching in three dimensions using Leica microscopes.

ScanStand is comprised of a high precision motorized stage and z-axis mounted on a high quality breadboard table, and is available in various configurations according to the requirement.

ScanStand interfaces to either the Leica Routine or Research columns, and is compatible with all corresponding Leica microscopes. A wide selection of focus drive extensions are available in order to offer compatibility to a wide variety of scanning table sizes up to 350mm x 350mm.



Technical Chart



Configurations on request

Extension length for stand configurations with adaption to Leica Routine-Column and Research-Column

Leica Microscope	Column	Extension		ScanStand standard	ScanStand XL
M50 M60 M80 DMS	Routine	10 450 173		116 mm	327 mm
		043-610974	10 450 173	168 mm	379 mm
		043-610976	10 450 173	188 mm	399 mm
		043-610983	10 450 173	220 mm	431 mm
		043-610982	10 450 173	240 mm	451 mm
		043-610981	10 450 173	260 mm	471 mm
M125 M165 M205	Research	10 450 106		163 mm	374 mm
		10 450 289	10 450 106	369 mm	580 mm
		10 450 289		154 mm	365 mm
DVM6	Research	10 450 289		360 mm	571 mm
		10 450 289		228 mm	439 mm
		10 450 289		434 mm	645 mm