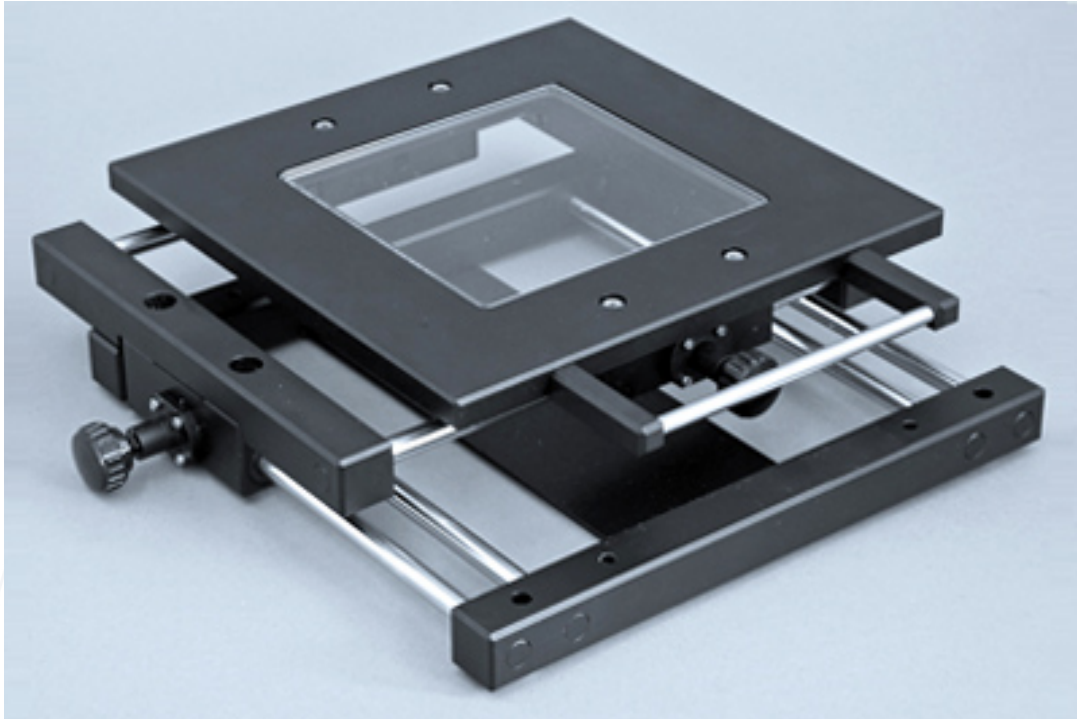




Gliding Stage 100x100 mm

Verschiebetisch 100x100 mm

Tables de déplacement



Technical Features

Article number 100-GS100-02

- for incident light and transmitted light
- compact gliding stage
- gliding area 100x100 mm
- rubber feet for stable positioning on any surface
- fixable in both directions with clamping screws
- resilient up to 10 kg
- satisfies with solid construction and smooth running
- stage size 200x200 mm
- maximal projection: 320x360 mm
- dimensions: approx. 300x250x58 mm
- weight: approx. 3 kg



Technical Drawing

