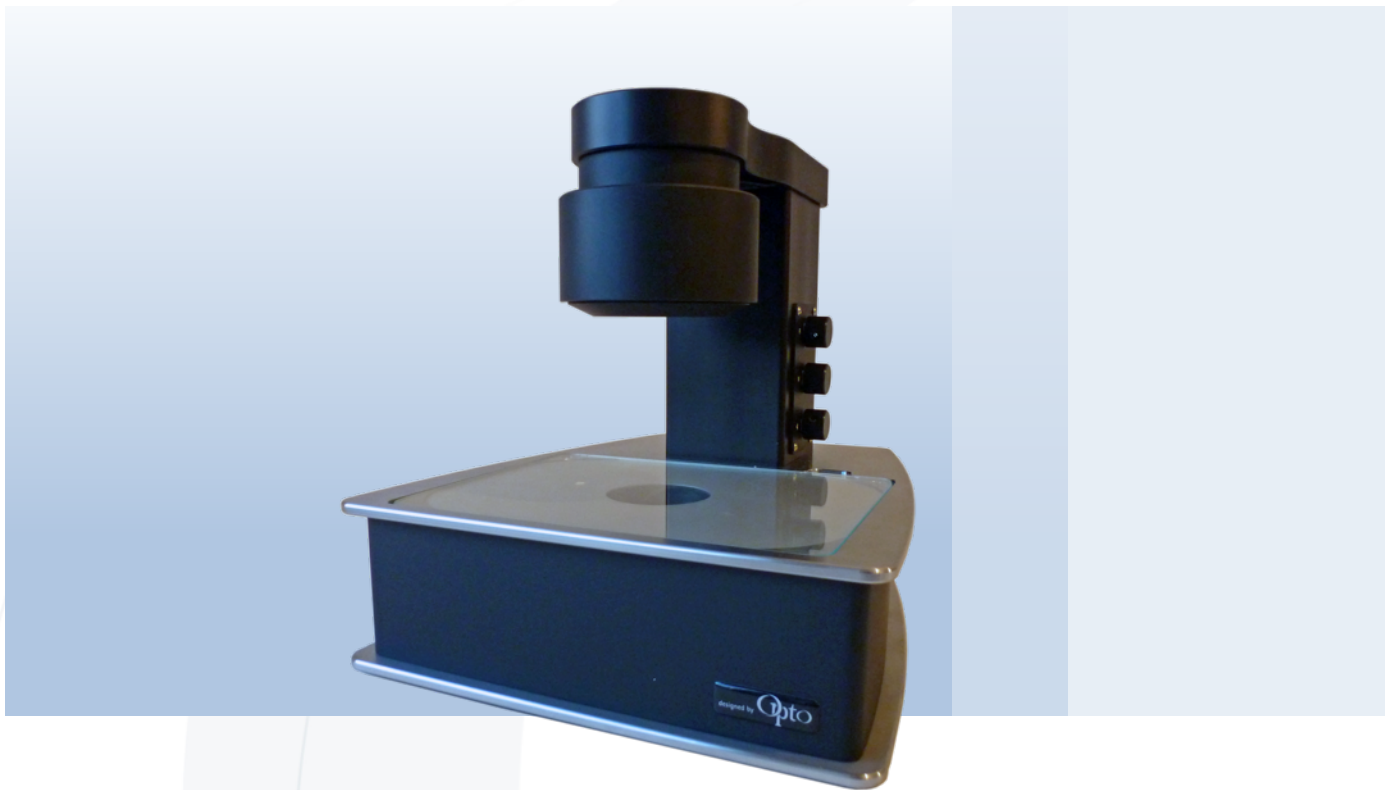




Transmitted light base For Stereo Microscope

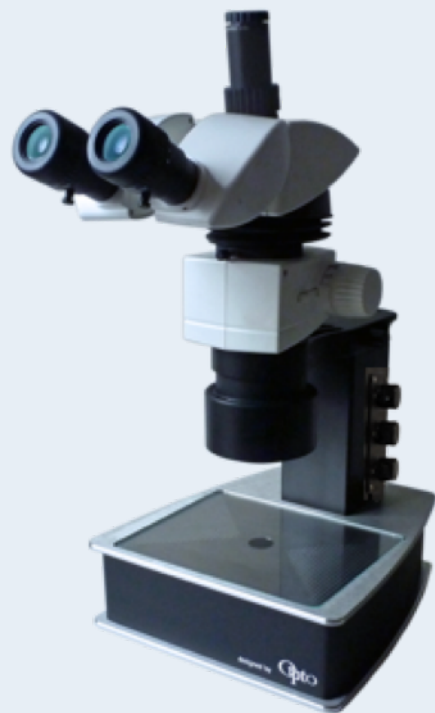
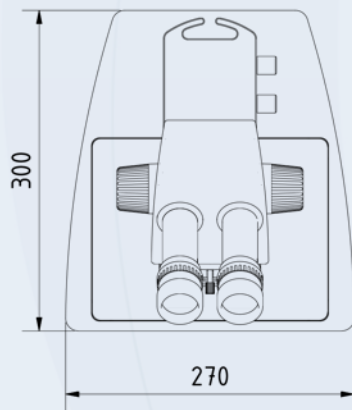
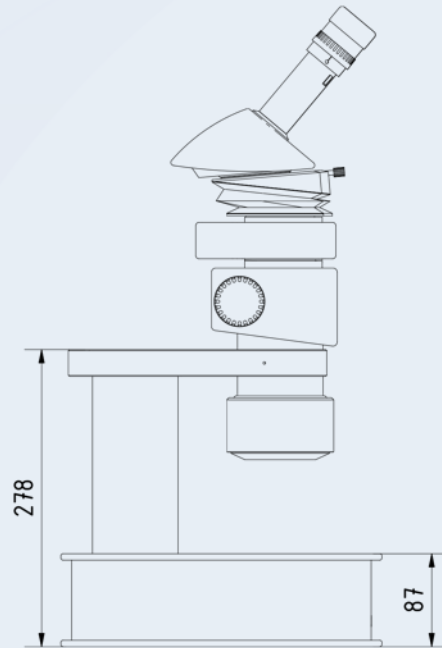
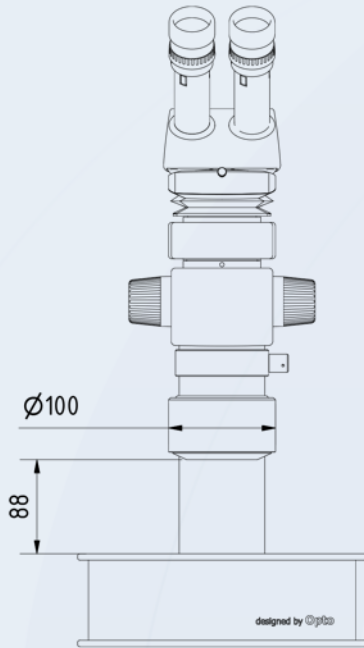


Technical Features

Article number, base	045-100181-06
Transmitted light base for Stereo Microscope	Optimized for Leica M80
Focus-objective magnification	1x
Working distance	90 mm
Field of view with Leica M80, 10x/23 Ocular	2 – 20 mm
Illumination, Transmitted DF	LED, adjustment of brightness and contrast
Weight	8 kg
Surface material	stainless steel
Ready for RFID-reader integration	



Technical Drawing



Microscope not included