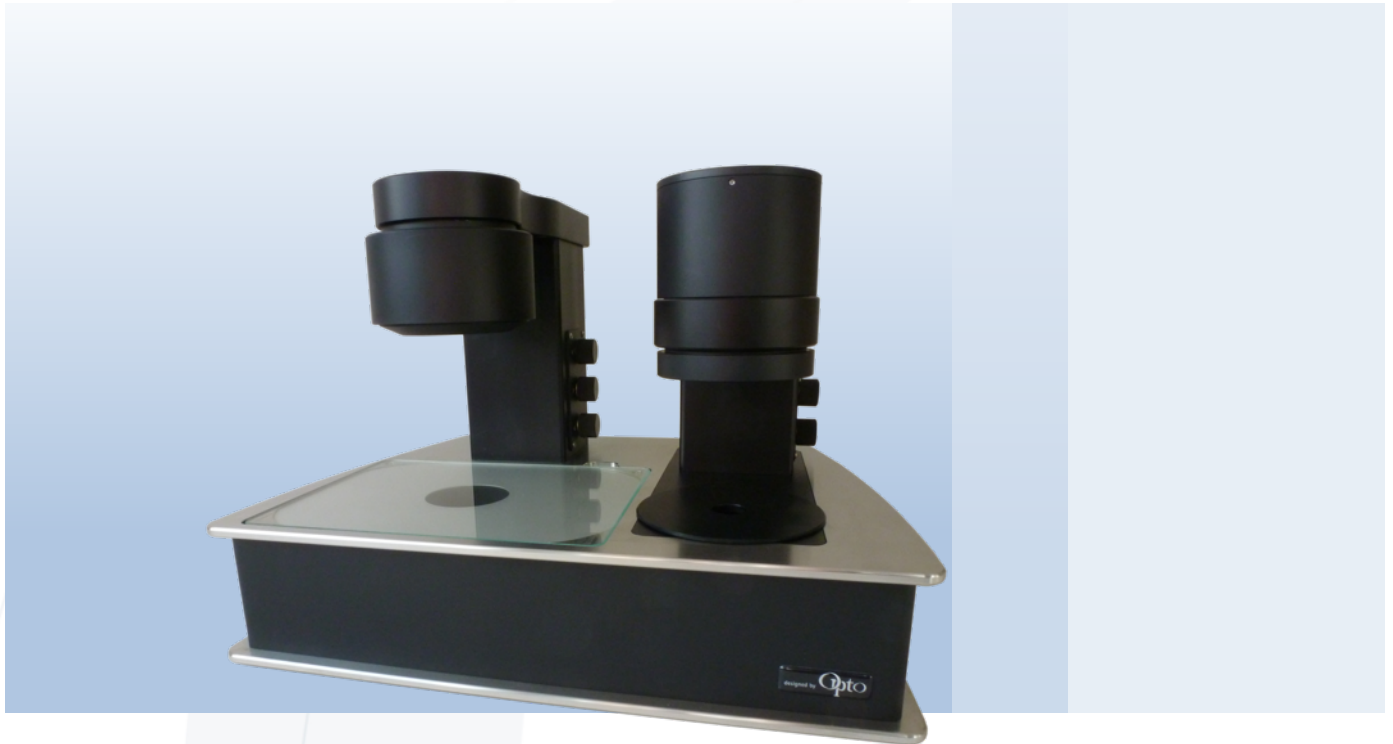




DualStation – Platform

Transmitted e-mirror light base, focusable Stereo Objective 1x and Inverse Microscope



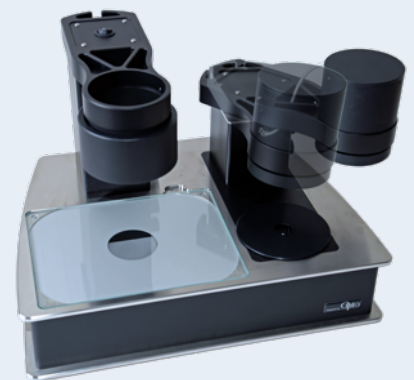
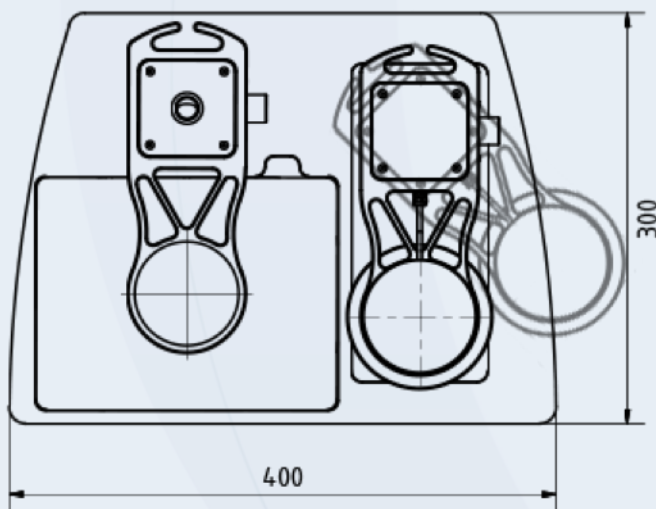
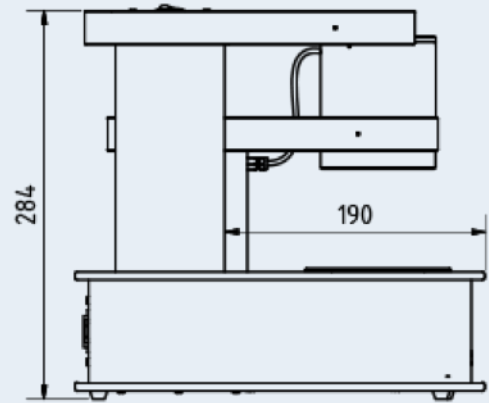
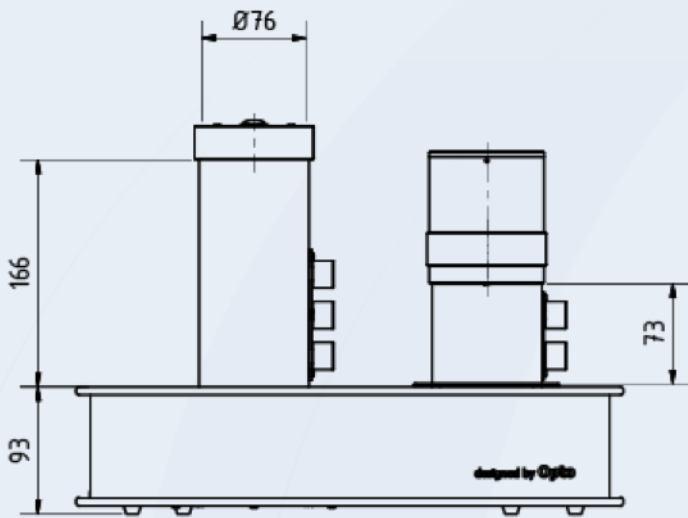
Technical Features

Article number, base	045-100181-01
Transmitted light base for Stereo Microscope	Optimized for Leica M80
Focus-objective magnification	1x fine focus travel range
Working distance	90 mm
Field of view with Leica M80, 10x/23 Ocular	2 – 20 mm
Illumination, Transmitted DF	LED, e-mirror Technology with adjustable brightness and contrast
Inverse microscope with 2 integrated cameras	2 x 5 MP
Camera connector	USB 3
Invers microscope magnification	400x on 17" monitor
Resolution	800 LP/mm
Focus	adjustable
Field of view	0.8 x 0.6 mm +. 3.2 x 2.4 mm (low Mag.)
Illumination	LED Köhler-illumination, adjustable brightness and high contrast
Weight	12 kg
Surface material	stainless steel
Ready for RFID-reader integration	

07/2019 - Specifications are subject to change without prior notice.



Technical Drawing



Stereo- and Inverse Microscope with swivel arm