

## Focus Drive OC, Coarse / Fine

### Fokussiertrieb OC, Grob / Fein



For objectives with magnification up to 50x. One combined focus drive for coarse and fine alignment. Scale on knob with 100 sections.

## Technical Features

Part number 043-610022

|                   |  |
|-------------------|--|
| Focus Drive OC    | Coarse / Fine  |
| Travel range      | Coarse focus 80mm (+42/-38mm)  |
| Travel fine focus | Fine focus 0.24mm (288° rotation)  |
| Scale on knob     | <i>Fine focus mode is active after a direction change in coarse and stays active within 288°</i> |
| Dimensions        | 100 sections – 1 section matches 2.9µm in fine focus   |
| Weight            | 50 x 99 x 125mm  |
| Load              | approx. 1,2 kg   |
|                   | max. 15 kg   |

Accessories for attachment to stands and walls

|                |  |
|----------------|--|
| 043-610904-002 | Adapter plate to wall and Track Stand  |
| 043-610904-320 | Clamp to Ø 32 mm column and Post Stand |

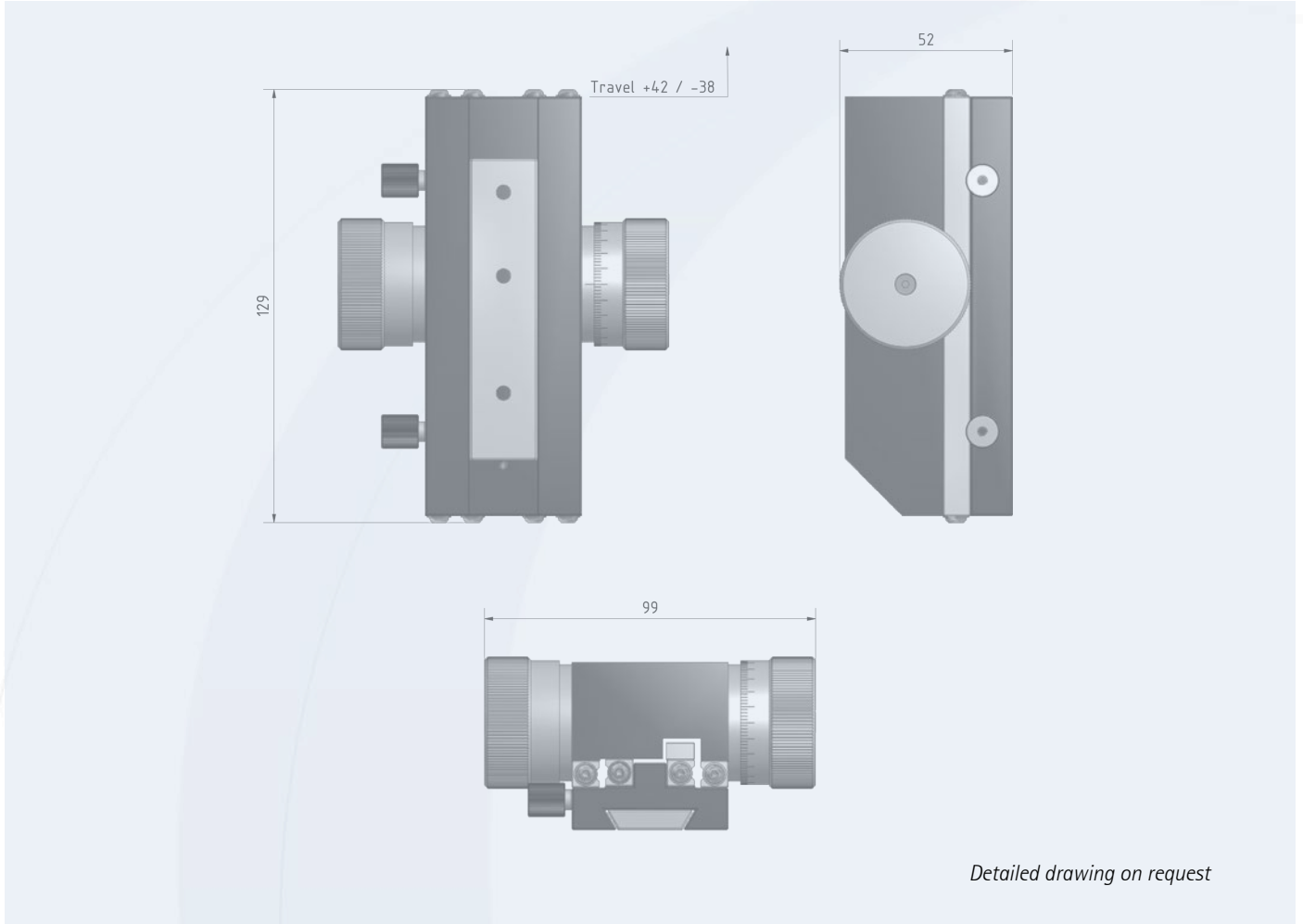
Accessories for carrying microscopes

|            |                                |
|------------|--------------------------------|
| 043-610911 | Clamp for TV Microscope Ø 35mm |
|------------|--------------------------------|

|                                      |   |
|--------------------------------------|---|
| Opto Imaging Modules attach directly | with the optimized clamps delivered with the IM |
|--------------------------------------|---|



## Technical Drawing



## Bottom view

