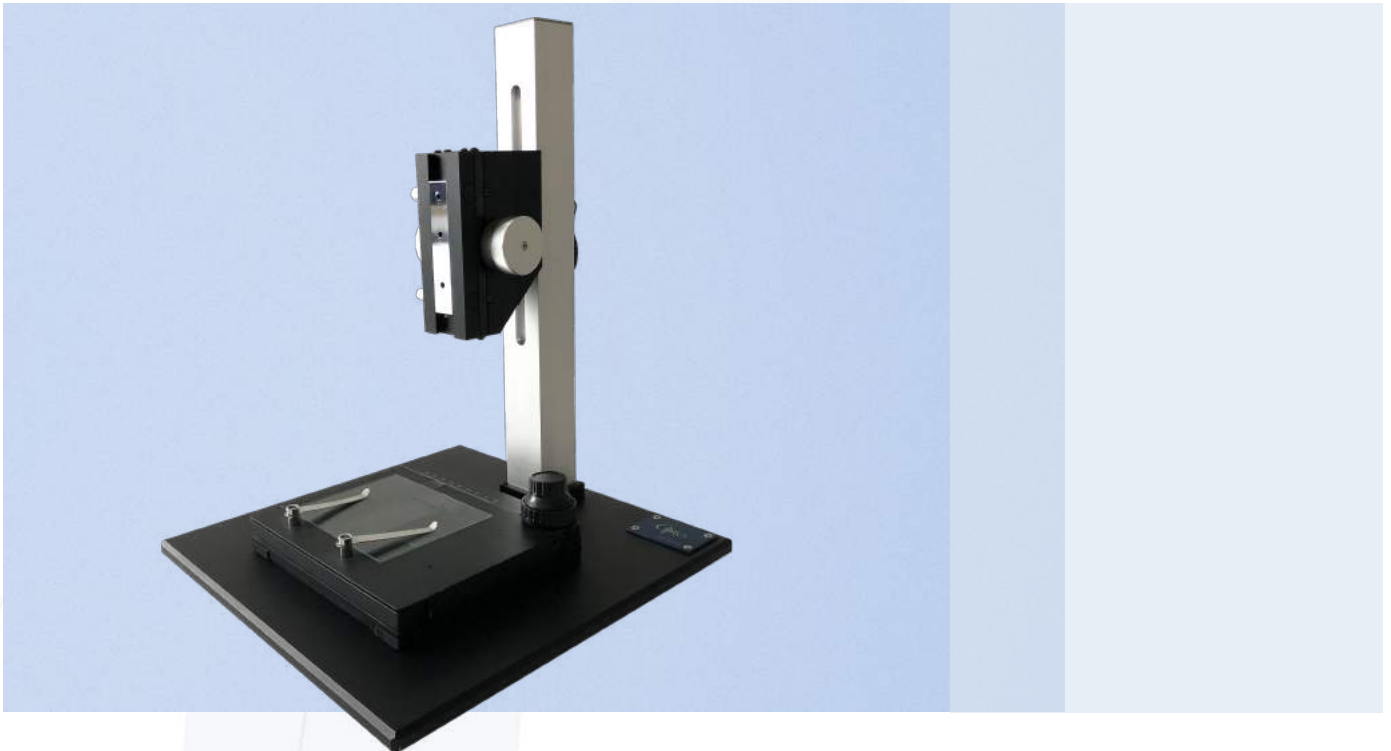




## Track Stand – with easy height adjustment for Focus Drives and mount for Jointed Couplers

## Trackstand Stativ – mit einfacher Höheneinstellung für Fokustriebe und Kniegelenkadapter



### Technical Features

Article number 043-600150-02

Alu platform base	300 x 300 mm
Bore	60 x 60 mm

Article number 043-643105/-350/-500

Column	40 x 40 mm
Focus Drive	OC, coarse /fine
Height	L = 350 mm or L = 500 mm

Article number 043-643103/-350/-500

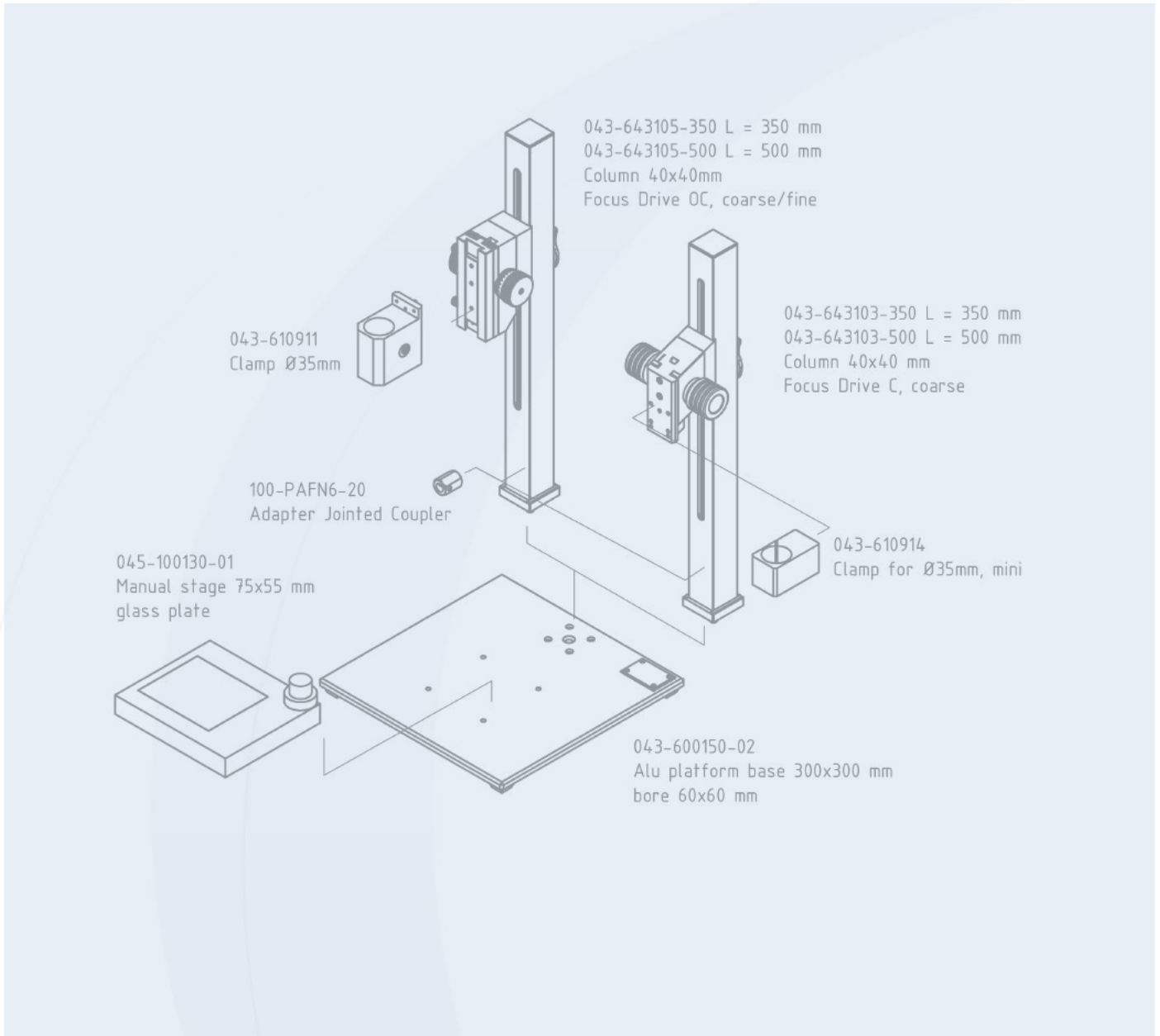
Column	40 x 40 mm
Focus Drive	C, coarse
Height	L = 350 mm or L = 500 mm

Accessories:

045-100130-01	Manual stage 75 x 55 mm, glass plate
100-PAFN6-20	Adapter for Jointed Coupler (for holding light accessory)
043-610911	Clamp $\varnothing$ 35mm
043-610914	Clamp for $\varnothing$ 35mm, mini



## Technical Drawing



## Description

The now-available re-design of the Opto Trackstand was particularly designed for easy handling. A Focus Drive OC, coarse fine or a Focus Drive C, coarse can be used on option, while it's height can be adjusted with an easy-clip-clamp.

Available in two different sizes, 350 mm of height or 500 mm of height, the stand is fixed on an alu platform base on which a positioning stage can be mounted.

An adapter for Opto's Jointed Couplers is available on option, which will be fixed to the column and which can hold light accessories.