

Portable Microscope with Trinocular Tube

Tragbares Mikroskop mit Trinokulartubus

Microscope portable avec tube trinoculaire

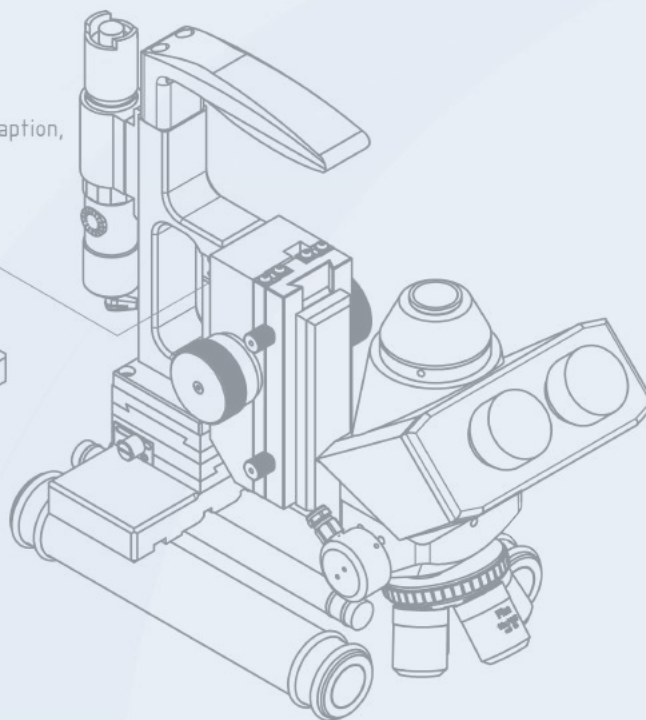
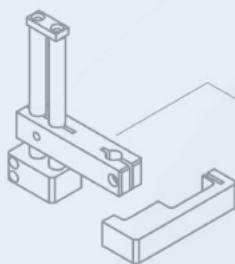


Technical Features

- Compatible with roller diameter down to 60mm or flat samples
- Sensitive positioning of the microscope with integrated XY stage
 - Travel +/- 9mm; Scale division 0.1 mm; Spindle pitch 0.5 mm; Resolution 0.002 mm
- Z-axis movement with coarse/fine focusing drive
 - Travel in coarse gear: 80 mm; Travel in fine gear: 0.24 mm; Resolution in fine drive 0.003 mm
- Carrying handle in ergonomic design
- Rotatable Trinocular head 30° with Eyepiece 10x/18, graticule with scale and crosshair
- C-Mount 0.5x
- Total magnifications: 50x, 100x, 200x, 500x
- LED-Coaxial Illumination, battery
 - stepless brightness control; battery run time 1-500 hours
- Dimensions approx. 320 x 160 x 230 mm
- Weight approx. 3.9 kg
- Digital gauge for height measurement and carrying case as an option

Technical Drawing

Optional:
043-112414-20-V2
Portable Microscope Adaption,
Gauge V2



Additional Accessories
for Portable Microscope:
044-910055-01 Transport Case
043-710002 Height Gauge

Accessories

