

A composite image featuring a microscope in the background and a green printed circuit board (PCB) in the foreground. The microscope is shown from a side-on perspective, with its objective lens and eyepiece visible. The PCB is positioned at the bottom of the frame, showing various electronic components. The entire image is overlaid with a semi-transparent blue filter and a white circular graphic element.

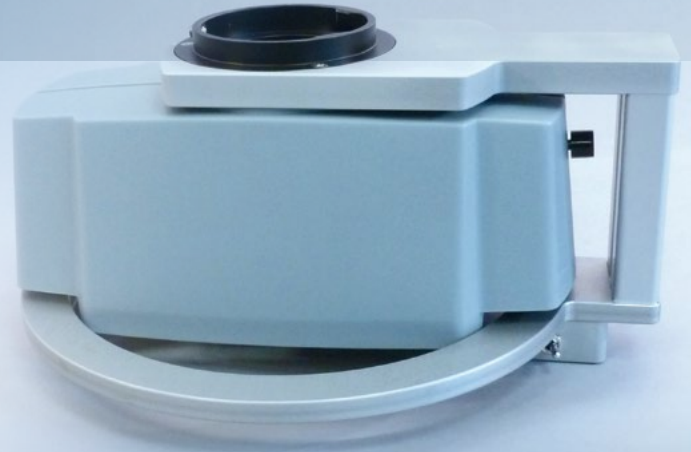
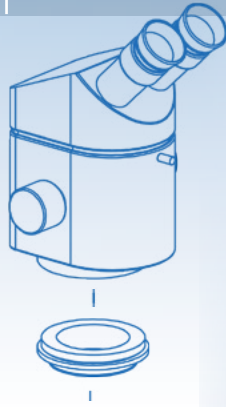
Oblique Viewing Module

Simple, switchable oblique
and supervision microscopy



LED-pointer in oblique view
for finding actual position

Available with matching adapter rings
for many types of microscopes



Perfect Flexibility

Our oblique viewing module enables a tilted view of your sample, with full 360 degree viewing around an object or feature, simply by pivoting the module. At the flick of a lever, you can switch instantly between oblique viewing mode and normal vertical mode so you never lose the functionality of your ordinary stereo microscope!

Universally compatible

The clever design of the unit means that it is compatible to an ever increasing range of stereo microscopes. Simply identify the corresponding adapter ring to your microscope, and you are ready to go!

Compact, Fully Integrated Unit

This highly stable and perfectly designed module integrates seamlessly with all major microscope brands. Perfect image quality is guaranteed thanks to the integrated high quality 0.3x achromatic lens. The unit features an integrated, custom developed LED ring light which is fully controllable and is designed to illuminate the sample area with a diffuse, but powerful homogeneous light.

Ideal Repair Station

With working distances of 100 mm in oblique mode, and 115 mm in normal vertical mode, the unit is ideal for a wide variety of repair and rework tasks, being particularly suited to SMT repair work.



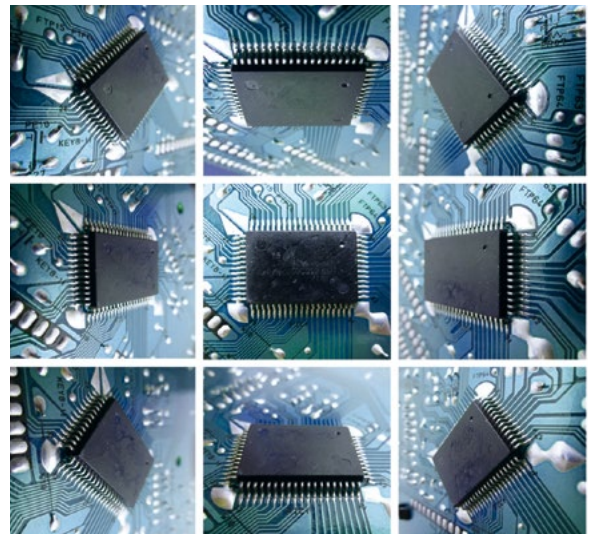
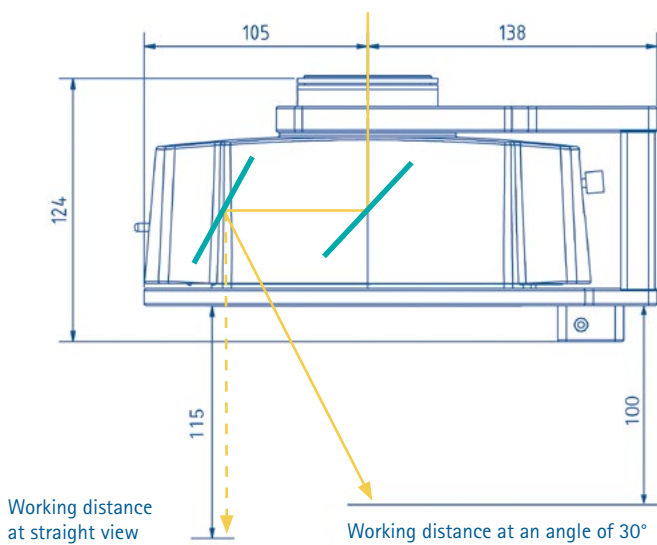
Oblique Viewing Module | specification

- Compact design in plastic housing
- Switchable between oblique and straight view
- Light point in oblique view for finding actual position, battery powered
- Working distance in oblique view approx. 100 mm, in straight view approx. 115 mm
- Integrated 0.3x objective
- Viewing angle approx. 30°
- LED-ring light with power supply 100-240V / 60W
- Extension column-optical axis min.140 mm
- Weight: approx. 1.6 kg including adapter

Article no.: 043-112108

Adapter ring for the following microscope series:

- Leica M50 M60 M80	043-112108-201
- Leica M125 M160 M205	043-112108-202
- Zeiss Discovery Serie	043-112108-203
- Leica M3 MS5 MZ6	043-112108-204
- Olympus SZX Serie	043-112108-205
- Nikon SMZ 800 1000	043-112108-206



IC view from all sides

261015

Opto GmbH
Lochhamer Schlag 14
82166 Gräfelfing
Munich, Germany

+49 89 89 80 550
info@opto.de
www.opto.de

Opto UK Ltd
Daresbury Innovation Centre
Keckwick Lane, Daresbury
Cheshire WA4 4FS, United Kingdom

+44 1925 606 595
info@opto-uk.com
www.opto-uk.com

Opto France S.A.S.
12, rue du Dr Geley
74000 Annecy
France

+33 4 50 60 58 22
info@opto-france.com
www.opto-france.com