

## Homogeneous LED Spot

### Homogener LED Spot

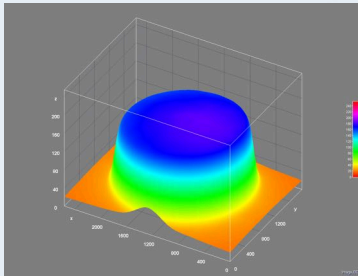


## Technical Features

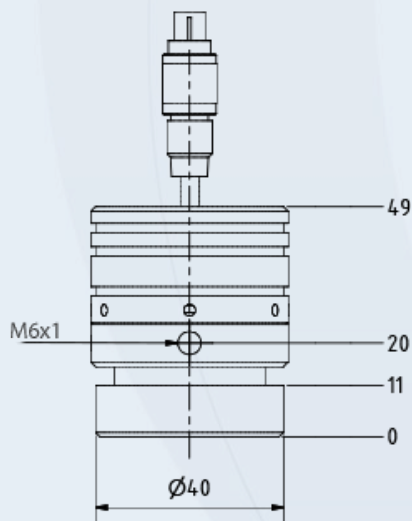
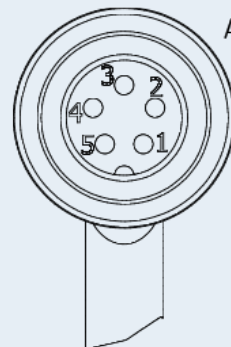
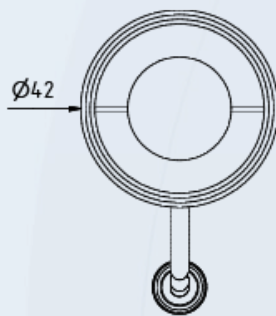
Homogeneous LED Spot		
Article number	LED color (CCT)	Wavelength
100-SP-H-W	white, 4000 K	
100-SP-H-R	red	625 nm
100-SP-H-G	green	525 nm
100-SP-H-B	blue	460 nm
Working distance	200 mm – 300 mm	
Spot diameter	80 mm – 110 mm	
Binder connector	5-pin	
Cable length	3 m	
Accessories		
043-700020	Power Supply for LED Spots	
044-700110	2-Core Power Cord - EU 1.8 m	
044-700111	2-Core Power Cord - UK 2 m	
044-700112	2-Core Power Cord - CH 2 m	
044-700113	2-Core Power Cord - US 2 m	
100-JC3-66	Jointed Coupler with 3 links, M6-M6, L = 191 mm	



## Technical Drawing



These unique spots use a beam homogenizer based on chirped microlens technology to generate extremely homogeneous and sharply delimited spot illumination. For image processing in time-critical applications this feature can eliminate the need for additional shading correction.



Pin Nr.	Belegung
1	- (braun)
2	+ (blau)
3	intern
4	n.c.
5	intern