

DualOptic 5x/1.25x Coax

Simultaneous macro and micro viewing of an object

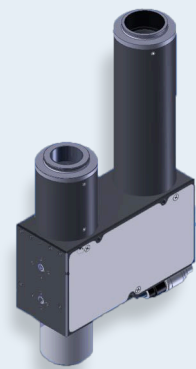


High Class Imaging Technology at Opto



DualOptic delivers 2 magnification channels simultaneously. The 5x channel enables a detailed view of the sample, whilst the 1.25x channel maintains a broad overview image.

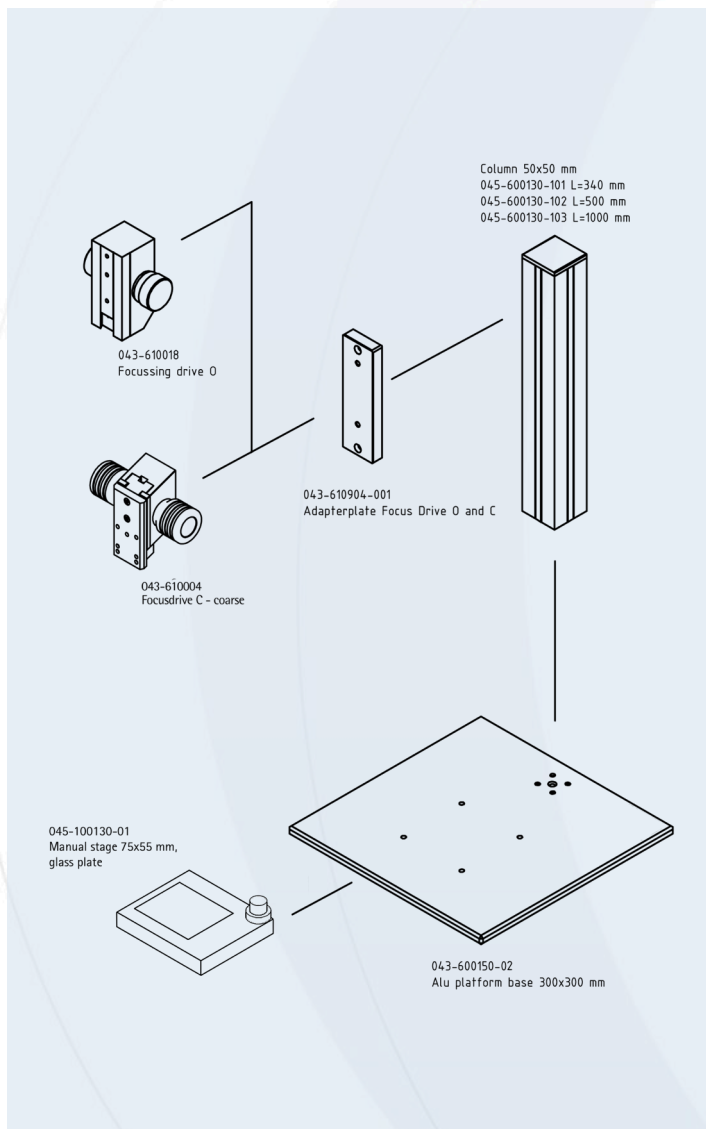
- **DualOptic** is a zoom replacement for instantaneous high and low magnification images with no moving parts
- Ideal for flat, reflective surfaces with microstructure detail



Technical Features

Article number 100-DUAL-012C	
Magnification	5x and 1.25x
Resolution	1.5 µm and 5 µm
Working distance	31 mm
Size	54x130x260 mm
Light	coax white 4000K
Weight	0.9 kg

Accessories



Technical Drawing

